

Series 500 Product Overview

Features:

- Hardened pivot pins and bushings
- Weldable clamping bar
- LSC version with locking spring clip for securing the handle in the open position
- Modular design allows you to set up the clamp to meet application requirements

Applications:

- Welding
- Assembly
- Heavy duty, production clamping applications

Also Available:

See page 1.46 for accessories

501-**B** ⓘ  
Swivel Base



501-**LB** ⓘ  
Long Base



503-**MB**  
Swivel Base



503-**MLB**  
Long Base



503-**MBLSC** ⓘ  
Swivel Base with Locking Spring Clip



503-**MLBLSC** ⓘ  
Long Base with Locking Spring Clip



505-**MB**  
Swivel Base



505-**MLB**  
Long Base



505-**MBLSC** ⓘ  
Swivel Base with Locking Spring Clip



505-**MLBLSC** ⓘ  
Long Base with Locking Spring Clip



506-**MB**  
Swivel Base



506-**MLB** ⓘ  
Long Base



506-**MBLSC** ⓘ  
Swivel Base with Locking Spring Clip

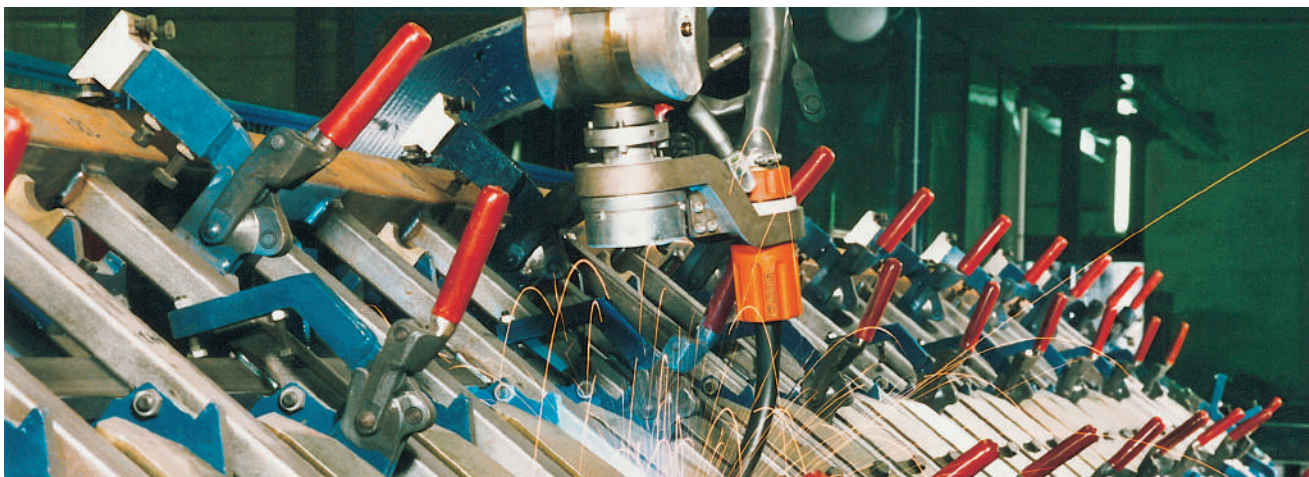


506-**MLBLSC** ⓘ  
Long Base with Locking Spring Clip



Model 505-MLB in a robotic welding fixture

ⓘ This item is available upon request



## Series 500 Technical Information

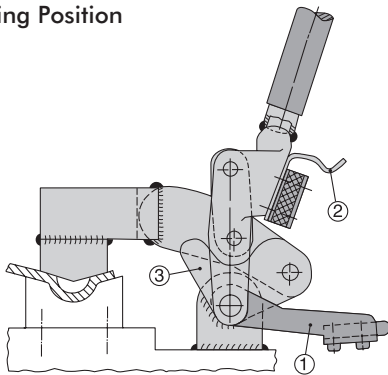
Model	Max. Holding Capacity	Clamp Bar Opening (+10°)	Weight
501-B ⓘ	2000 N [450 lbf]	200°	0,18kg [0.40lbs]
501-LB ⓘ			0,20kg [0.44lbs]
503-MB	7000 N [1575 lbf]		0,70kg [1.54lbs]
503-MLB			0,80kg [1.76lbs]
503-MBLSC ⓘ			
503-MLBLSC ⓘ	0,90kg [1.98lbs]		
505-MB	11000 N [2475 lbf]		1,40kg [3.09lbs]
505-MLB			1,50kg [3.31lbs]
505-MBLSC ⓘ			
505-MLBLSC ⓘ			
506-MB	22500 N [5060 lbf]		2,60kg [5.73lbs]
506-MLB ⓘ			2,80kg [6.17lbs]
506-MBLSC ⓘ			
506-MLBLSC ⓘ		3,00kg [6.61lbs]	

**Note:**

The clamping bars are made from forged alloy steel and must be heated to 200°C(400°F) prior to welding. We recommend welding the handles, clamp arms, and mounting bases when disassembled. Welding of non pre-heated parts may only be done with the addition of welding fillers.

ⓘ This item is available upon request

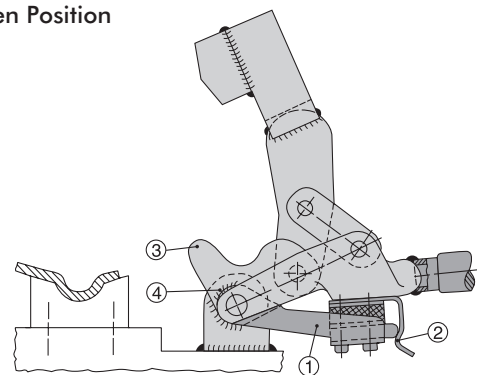
Clamping Position



Patented spring latch hold-open device

1. Mount the clamp and place it in the closed position
2. Position the bracket in the leaf spring

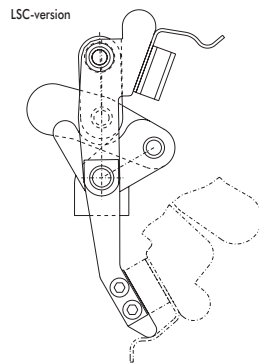
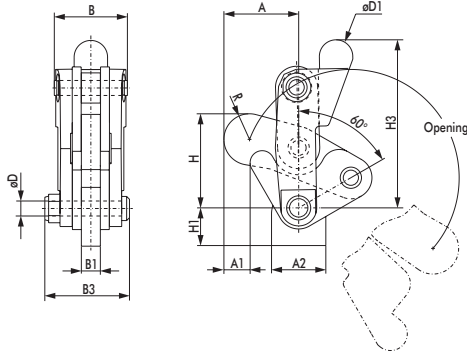
Open Position



3. Swivel the clamp into the open position
4. In this position, weld the bracket with the bar guide feature at point

Series 500 Standard Clamp Dimensions  
-B/-LB/-MB/-MLB/-MLBSC/-MLBSC

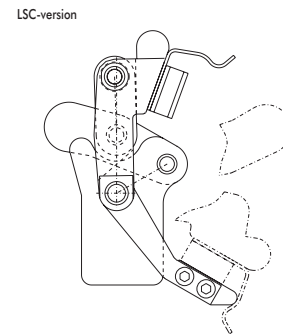
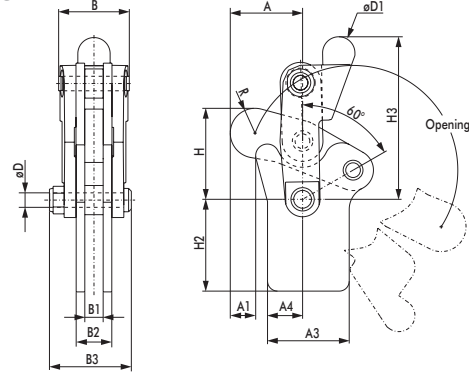
Swivel Base



**503-MB**  
Swivel Base



Long Base



**503-MLB**  
Long Base



Swivel Base Dimensions

Model	A	A1	A2	B	B1	B3	ØD	ØD1	H	H1	H3	R
<b>501-B</b> ⓘ	[1.13] 28,6	[0.56] 14,3	[0.75] 19,1	[0.79] 20,0	[0.25] 6,4	[1.09] 27,8	[0.19] 4,8	[0.50] 12,7	[1.12] 28,5	[0.79] 20	[2.20] 56	[0.37] 9,5
<b>503-MB</b>	[1.54]	[0.50]	[1.12]	[1.52]	[0.39]	[1.82]	[0.31]	[0.69]	[1.96]	[0.79]	[3.51]	[0.53]
<b>503-MBLSC</b> ⓘ	39,2	12,8	28,5	38,5	10	46,2	8	17,5	49,8	20	89,1	13,5
<b>505-MB</b>	[2.22]	[1.02]	[1.38]	[1.89]	[0.48]	[2.31]	[0.37]	[0.87]	[2.79]	[1.10]	[4.33]	[0.72]
<b>505-MBLSC</b> ⓘ	56,5	25,9	35	48	12,3	58,6	9,5	22,2	70,8	28	110,1	18,3
<b>506-MB</b>	[2.82]	[1.27]	[1.97]	[1.91]	[0.63]	[2.72]	[0.47]	[0.94]	[3.45]	[1.29]	[5.30]	[0.84]
<b>506-MBLSC</b> ⓘ	71,7	32,3	50	48,4	16	69	12	24	87,7	32,8	134,6	21,4

Long Base Dimensions

Model	A	A1	A3	A4	B	B1	B2	B3	ØD	ØD1	H	H2	H3	R
<b>501-LB</b> ⓘ	[1.13] 28,6	[0.50]	[1.13] 28,6	[0.56] 14,3	[0.79] 20	[0.25] 6,4	[0.51] 13	[1.09] 27,8	[0.19] 4,8	[0.50] 12,7	[1.12] 28,5	[1.32] 33,5	[2.21] 56,1	[0.37] 9,5
<b>503-MLB</b>	[1.54]	12,8	[1.75]	[0.75]	[1.52]	[0.39]	[0.79]	[1.82]	[0.31]	[0.69]	[1.96]	[1.97]	[3.51]	[0.53]
<b>503-MLBSC</b> ⓘ	39,2	12,8	44,5	19	38,5	10	20	46,2	8	17,5	49,8	50	89,1	13,5
<b>505-MLB</b>	[2.22]	[1.02]	[2.09]	[1.08]	[1.89]	[0.48]	[0.88]	[2.31]	[0.37]	[0.87]	[2.79]	[2.50]	[4.33]	[0.72]
<b>505-MLBSC</b> ⓘ	56,5	25,9	53	27,5	48	12,3	22,3	58,6	9,5	22,2	70,8	63,5	110,1	18,3
<b>506-MLB</b>	[2.82]	[1.27]	[2.58]	[1.45]	[1.91]	[0.63]	[1.10]	[2.72]	[0.47]	[0.94]	[3.45]	[3.00]	[5.30]	[0.84]
<b>506-MLBSC</b> ⓘ	71,7	32,3	65,5	36,9	48,4	16	28	69	12	24	87,7	76,2	134,6	21,4
														[8.43] 214

**Features:**

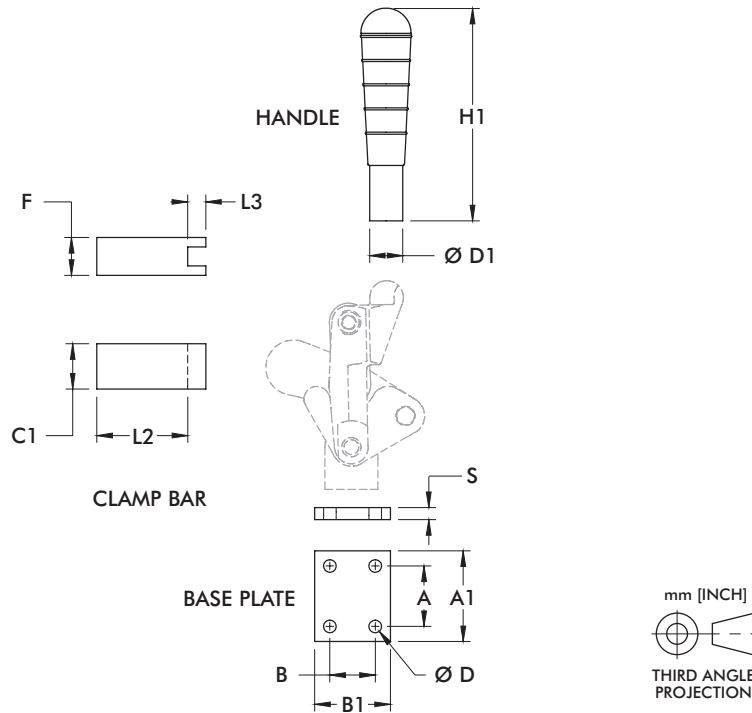
- Used with 500 Series Vertical Clamps
- Allows you to customize the clamp to suit application requirements

**Applications:**

- Welding
- Assembly
- Heavy duty, production clamping applications

**Also Available:**

See page 1.43 for clamp linkage



Use with	Part No.	Handle						Clamping Bar				Base Plate			
		ØD1	H1	C1	F	L2	L3	A	A1	B	B1	ØD	S		
	501503 ⓘ	6x10	61	-	-	-	-	-	-	-	-	-	-		
501	501501 ⓘ	-	-	15	15	40	10	-	-	-	-	-	-		
	503502	-	-	-	-	-	-	25	40	35	50	6.3	8		
503	503503-L	Ø18	129.5	-	-	-	-	-	-	-	-	-	-		
	503501	-	-	25	20	50	8	-	-	-	-	-	-		
	503502	-	-	-	-	-	-	25	40	35	50	6.3	8		
505	505503-L	Ø22	159	-	-	-	-	-	-	-	-	-	-		
	505501	-	-	30	25	60	12	-	-	-	-	-	-		
	505502	-	-	-	-	-	-	40	60	30	50	8.1	8		
506	506503-L	Ø28	188	-	-	-	-	-	-	-	-	-	-		
	506501	-	-	35	30	75	15	-	-	-	-	-	-		
	506502	-	-	-	-	-	-	50	70	45	65	8.1	8		

ⓘ This item is available upon request Note: Dimensions shown in millimeters.